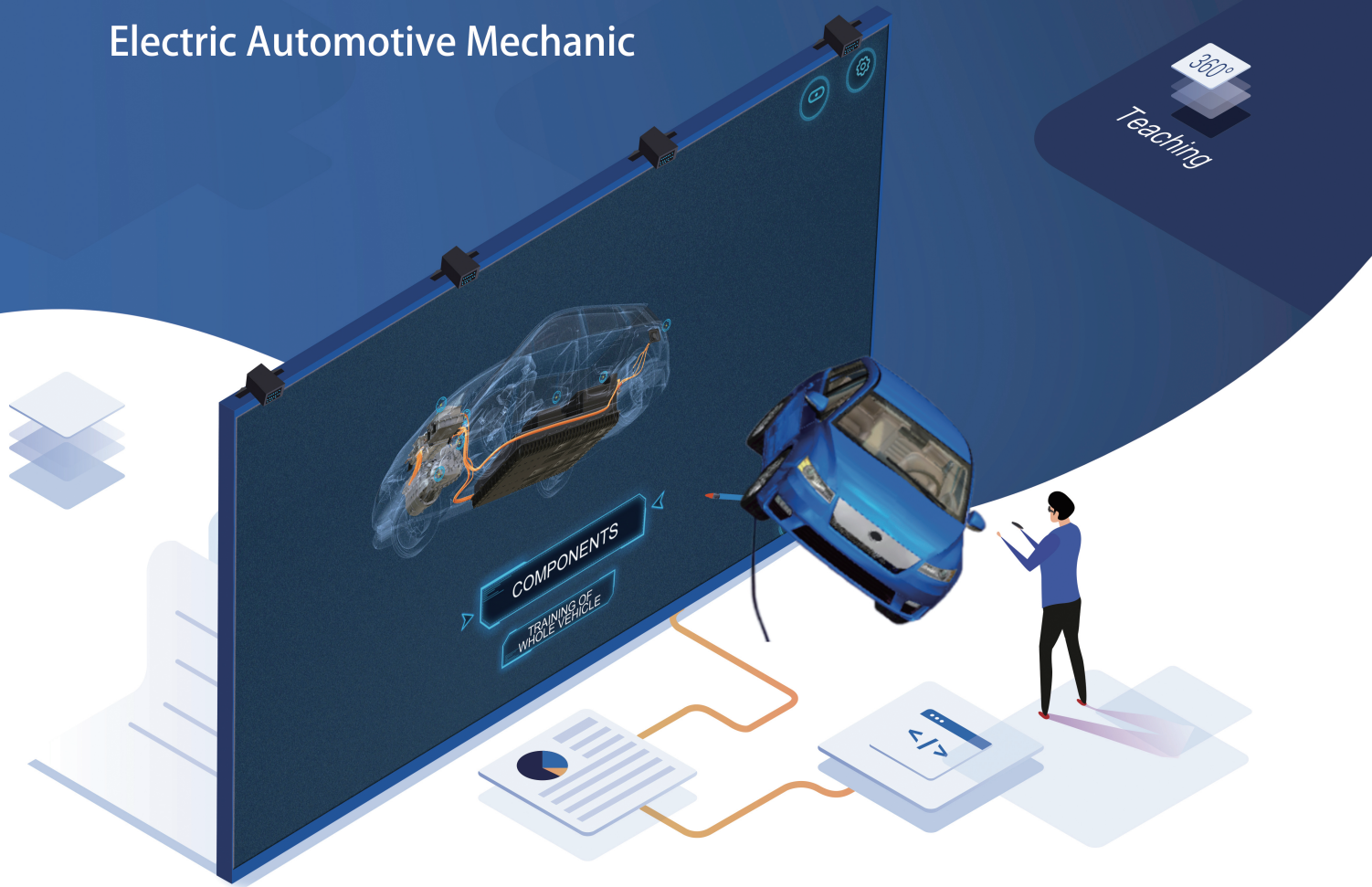


# Electric Automotive Mechanic



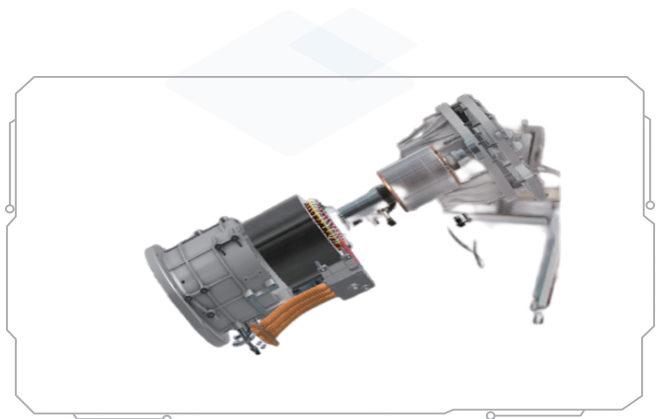
## Introduction

Electric Automotive Mechanic is based on a real car's power battery and battery management system. The software adopts VR technology and is developed under the guidance of well-known experts through collecting extensive actual maintenance data and **research based on current practical new energy vehicle professional training**.

The software has significant advantages over traditional training, such as **being safe, reversible, and economical**. Likewise, the simulation is effective, allowing students to complete the whole simulation training course through virtual scenarios, realizing the perfect combination of theoretical and practical teaching.

## Composition

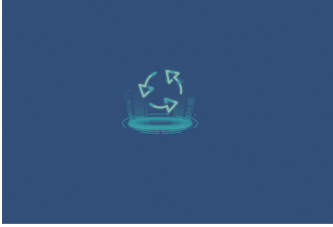
2 main modules: part awareness and vehicle training, covering important automotive parts including powertrain, power battery, high-voltage cable, high-voltage distribution box etc.



## Highlights



It is suitable for the world's leading desktop VR equipment, zSpace all-in-one machine and PC computer, with a smooth operating experience and clear display effect.



The practical training module is divided into a practical training mode suitable for self-practice and an assessment mode suitable for understanding and proficiency.



1:1 modeling of a representative pure electric vehicle is used to restore the standard maintenance environment of the manufacturer. The operation steps are simulated in strict accordance with the standardized process .



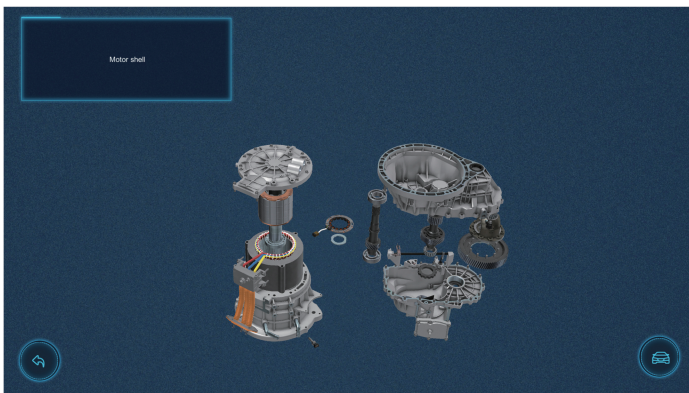
Incorporates impressive design to stimulate students' interest in learning.

## Samples

It reproduces the actual assembly and disassembly operation, saving high costs of consumption and avoiding high risks.



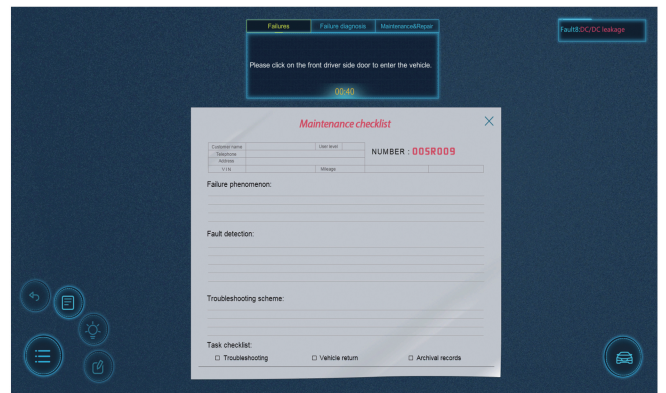
You can rotate or move any part in this software freely and zoom in or out to observe in greater detail.



It includes various tools and models for students to practice fully and have 100% immersive experience.



Users can export record reports to review operation and improve accordingly.



Jiangxi KMAX Industrial Co., Ltd.

No. 1589, Zishi Road, Xinjian District, Nanchang City, Jiangxi Province

www.kmax-arvr.com

info@kmaxxr.com

+86-400-618-6977